



STATE OF NORTH CAROLINA
DEPARTMENT OF TRANSPORTATION

ROY COOPER
GOVERNOR

JAMES H. TROGDON, III
SECRETARY

November 1, 2018

To: Prospective Bidders

From: Lloyd G. Royall, Jr.
Division Contract Engineer

DocuSigned by:
Lloyd G. Royall, Jr
6418B7231C1F4AE...

Contract ID#: DC00219

WBS Element: 50138.3.90
TIP#: W-5601CK

- **Subject: Addendum #3 Wrightsville Beach Bike Plates**

The Subject contract proposal contains the following addendum:

- 1- Clarify Welding Issues (Revisions)

*****An Addendum has been added to the Bid Express.**

LGR/lgr

Mailing Address:
NC DEPARTMENT OF TRANSPORTATION
DIVISION OF HIGHWAYS
5501 BARBADOS BOULEVARD
CASTLE HAYNE, NC 28429-5647

Telephone: (910) 341-2000
Fax: (910) 675-0143
Customer Service: 1-877-368-4968

Website: www.ncdot.gov

Location:
5501 BARBADOS BOULEVARD
CASTLE HAYNE, NC 28429-5647

WELDING PROCESS

ALL WELDING TO BE DONE IN ACCORDANCE WITH AWS D1.5 BRIDGE WELDING CODE, LATEST VERSION.

MATERIAL SPECIFICATIONS

MAIN BAR (5.3#/FT.) TO BE A.S.T.M. A709 GRADE 50
 CROSS BARS (1/4" x 2 1/2") TO BE A.S.T.M. A709 GRADE 50
 SUPPLEMENTAL BARS (1/4" x 1") TO BE A.S.T.M. A709 GRADE 50

FINISH SPECIFICATIONS

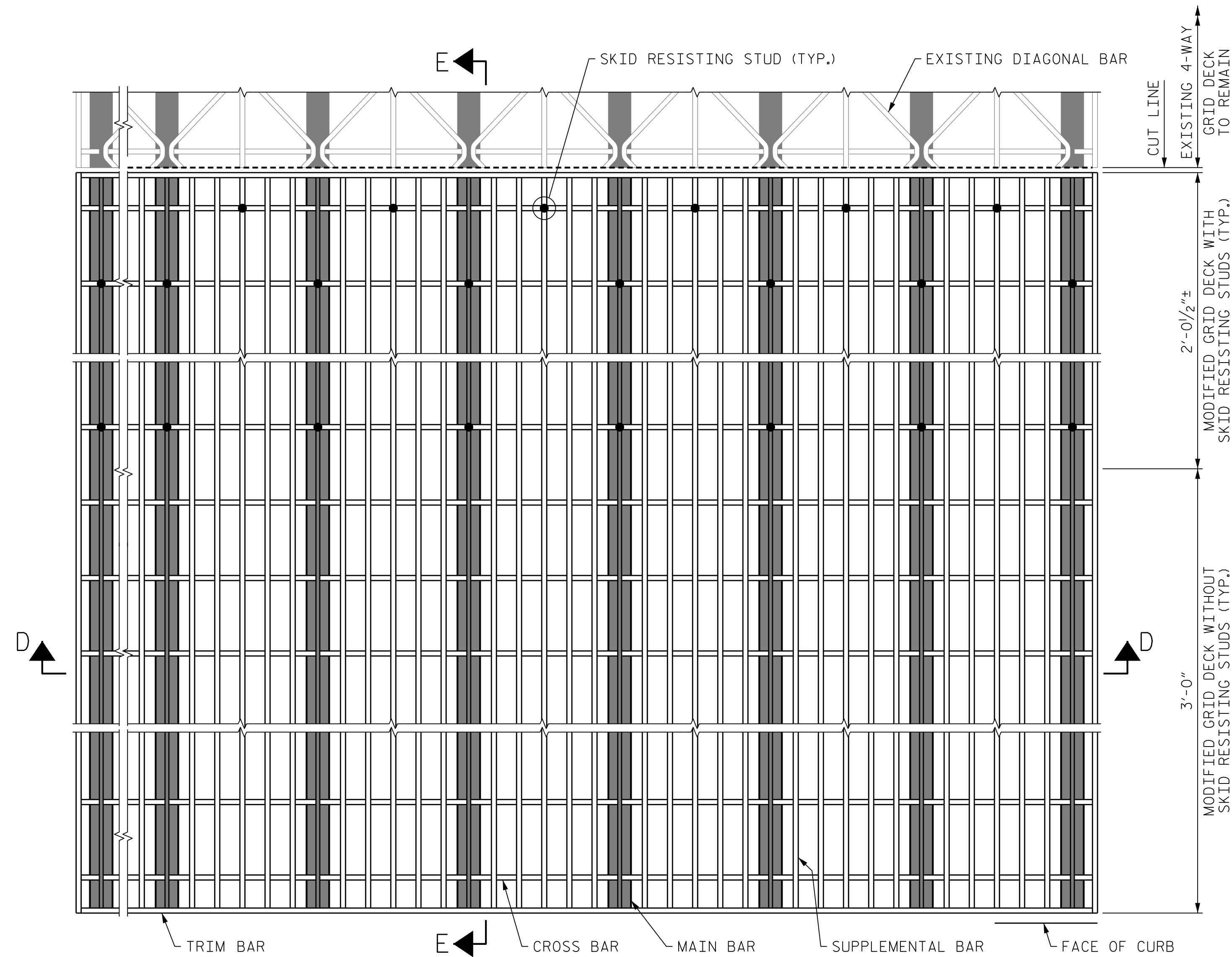
GALVANIZED PER ASTM A123.

NOTES:

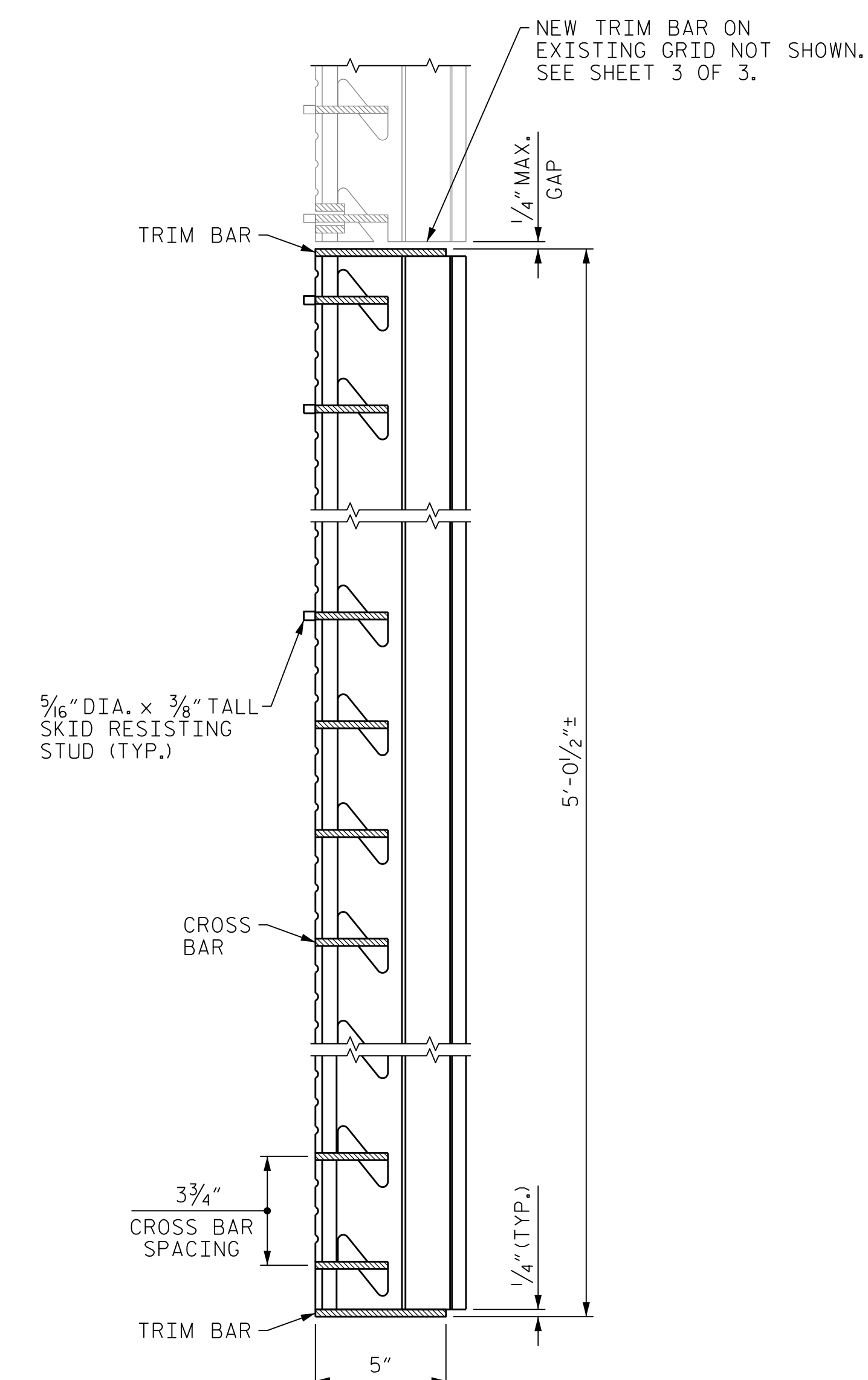
SERRATIONS TO BE APPROXIMATELY 3/16" DEEP BY 3/8" WIDE ON RANDOM CENTERS, 1" MAX. C-C SPACING.

FOR ADDITIONAL NOTES, SEE SHEET 1 OF 3.

CUT ENDS AND DAMAGED GALVANIZED COATING ON EXISTING GRID DECK TO REMAIN SHALL BE TOUCHED-UP IN ACCORDANCE WITH ASTM A780.



GRID DECK PANEL PLAN VIEW

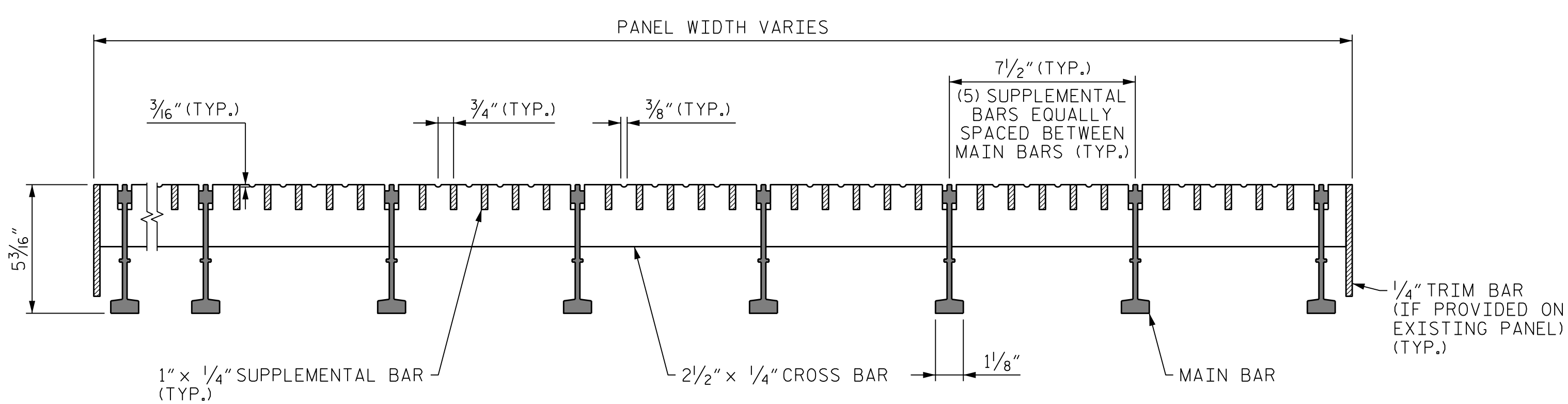


SECTION E-E

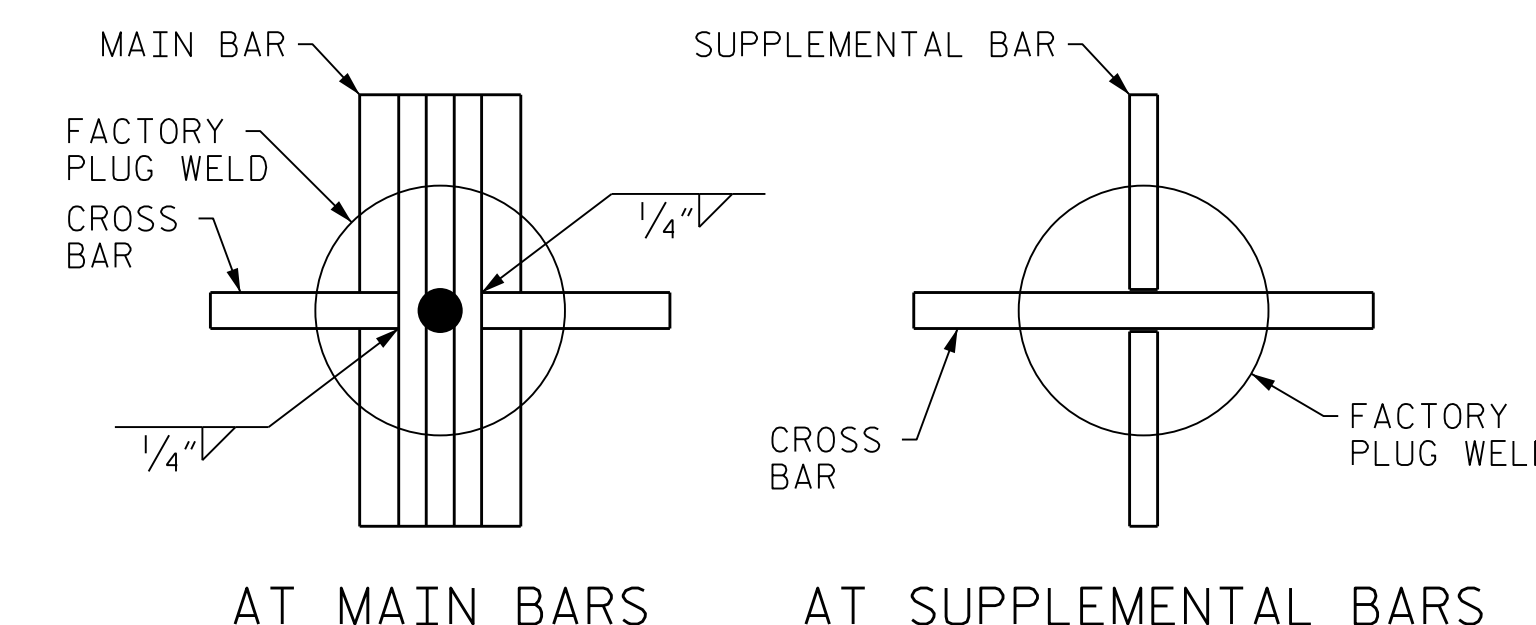
MODIFIED GRID DECK PROPERTIES		
SECTION MODULUS * (IN ³ / FT)		APPROX. GRID WEIGHT (LBS / SF)**
TOP STEEL	BOTTOM STEEL	24.5
5.35	4.23	

* SECTION MODULUS BASED ON 50% OF SUPPLEMENTAL BARS ACTIVE

** THE GRID WEIGHT IS BASED ON A GALVANIZED GRID. ACTUAL WEIGHTS MAY VARY DUE TO COATING WEIGHT AND DECK ATTACHMENTS.



SECTION D-D



WELDMENT DETAIL

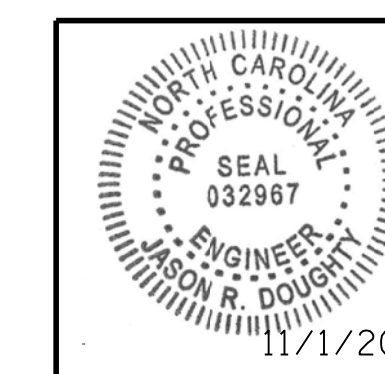
PROJECT NO. W-5601CK
 NEW HANOVER COUNTY

STATION: _____

SHEET 2 OF 3

STATE OF NORTH CAROLINA
 DEPARTMENT OF TRANSPORTATION
 RALEIGH

GRID DECK DETAILS



333 FAYETTEVILLE STREET, SUITE 505
 RALEIGH, NC 27601
 NC LICENSE NO. C-2979

**DOCUMENT NOT CONSIDERED FINAL
 UNLESS ALL SIGNATURES COMPLETED**

REVISIONS						SHEET NO.
NO.	BY:	DATE:	NO.	BY:	DATE:	S-7
1			3			TOTAL SHEETS
2			4			8

11/1/2018 400_013_W5601CK_SML_GRP2_640012.dgn

DESIGNED BY: C. CORMAN DATE: JUNE 2018
 DRAWN BY: K. WHITE DATE: JUNE 2018
 CHECKED BY: B. LOFLIN DATE: JUNE 2018
 DESIGN ENGINEER OF RECORD: J. DOUGHTY DATE: JUNE 2018